



**CITY OF NEWARK
DELAWARE**

**CITY OF NEWARK
WATER MAIN RESTORATION 2023
CONTRACT NO. 23-02**

**ADDENDUM 3
October 20, 2023**

1. Notice to Bidders

- A. This Addendum is issued to all registered plan holders pursuant to the Conditions of the Contract. This Addendum serves to clarify, revise, and supersede information in the Project Specifications, Drawings, and previously issued Addenda. Portions of the Addendum affecting the Contract Documents will be incorporated into the Contract by enumeration of the Addendum in the Owner/Contractor Agreement.
- B. The Bidder shall acknowledge receipt of this Addendum with their submitted proposal.
- C. **The date for receipt of bids is unchanged by this Addendum.**
- D. **The cutoff date and time for questions has passed. Questions submitted after the issuance of this addendum will not be answered.**

2. Responses to Questions Submitted Via Email

Question 1:	Bid item 3-14 directional drill 10'' CL54 DIP, can you clarify what type of pipe to be used for the pullback. Push-on type bell with field lok gaskets, mechanical joint DIP, or TR-Flex restraint pipe.
Response 1:	Directional drill pipe shall be TR Flex restrained joint pipe or approved equal. Refer to specifications.
Question 2:	With concerns of pulling back the 10'' DIP for the directional drill, will the V-Bio poly wrap be needed here considering the pullback will destroy the poly wrap on the proposed pipe.
Response 2:	V-Bio wrap will be required. See response 1 from Pre-bid Meeting Minutes.

Question 3:	Can you clarify what is needed for restraints for the DIP pipe for installation. Field Lok gaskets or bell restraints and what interval to be used.
Response 3:	See Response 1. All DIP installed via open cut shall be restrained at bends and fittings as illustrated in Contract Documents Details using EBAA mega lug series 1100 mechanical joint restrainer glands or Ford uni-flange series 1400 wedge action retainer glands
Question 4:	Can an alternate design be used for the directional drill, drilling a HDPE casing under the roadway and push the 10" DIP through the casing pipe. That has been performed before under Deldot Roadways from talking to a directional drill subcontractor.
Response 4:	No casing pipe shall be used in the construction of this project.
Question 5:	The cap existing watermain bid item, are we just capping and abandon in place watermains or grouting watermains and capping.
Response 5:	Capping and abandoning in place.
Question 6:	The areas were cutting in a tee into existing watermain for proposed piping, can the contractor choose to perform a wet tap instead for ease of installation.
Response 6:	Yes. Unless shown explicitly on the plans the cost for installation of wet tap at the contractor's discretion shall be incidental to the installation of water main and will not be paid for under any unit pricing for wet tapping. If noted to REMOVE EXISTING TEE. The existing tee must be removed.
Question 7:	On plan sheets remove existing tee, how is this to be performed. Will the water company shut down the water main for cutting out old tee or do we have to include 2 line stops to remove tees.
Response 7:	The Contractor must coordinate shut down with City.
Question 8:	The removal of the existing fire hydrant what is included in this work.
Response 8:	Removal of existing fire hydrant, removal of existing valve box and restoration.
Question 9:	In the intersection of Trye Ave and East Main Street there is an existing brick painted crosswalk striping, are we to restore all these markings to mill and overlay of street. Can you clarify to what extent this striping needs to be replaced.
Response 9:	Restoration of roadway surface, pavement markings, and striping shall extend to the limits of the mill and overlay shown on the plans. Detail for the patterned crosswalk is attached to this addendum.
Question 10:	On capital trail SR2 there is no pay item for the removal and replacement of concrete median in 2 locations. Please advise what type and extent of work.
Response 10:	Contractor shall be responsible to establish clean saw cut edge, drill and dowel into existing concrete median, and place concrete to the profile of the existing median. Cost for repair to median shall be incidental to the linear foot cost for installation of water main.

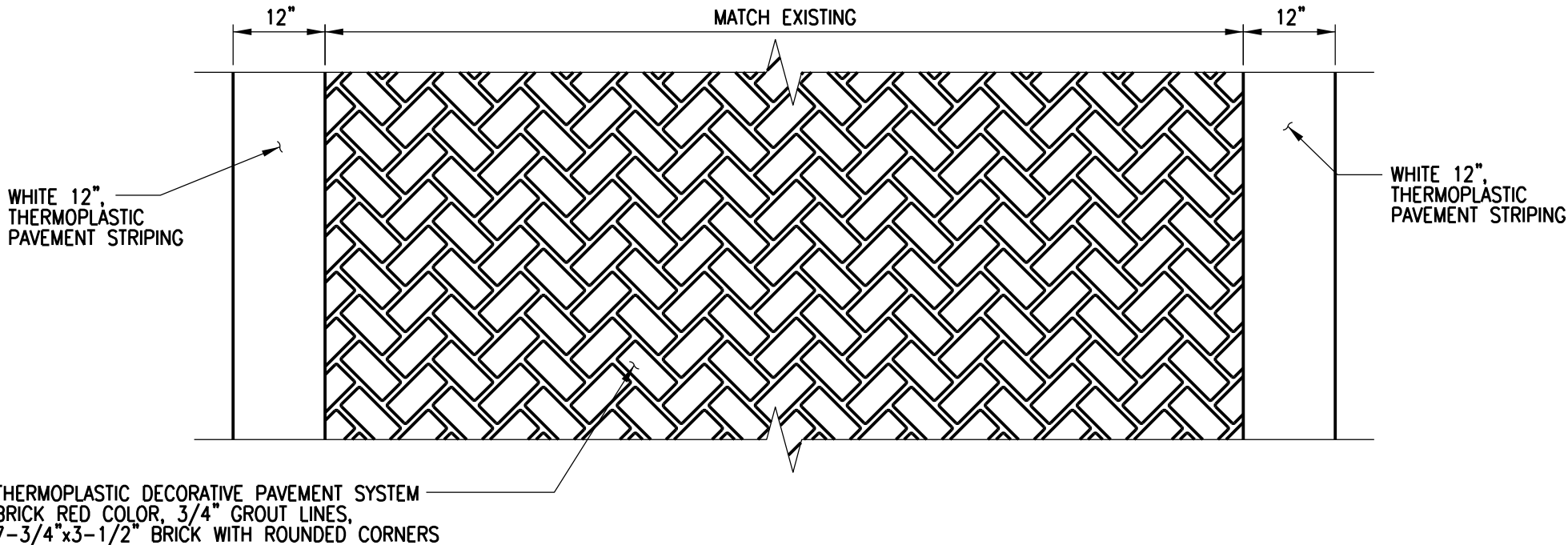
Question 11:	On general note 18 on plan sheet there is a statement contractor to be responsible for traffic loop detectors and striping in kind if affected by pipe work or paving, is this correct.
Response 11:	Yes.
Question 12:	Watermain note 13 states corrosion control from McWane Ductile. Can you explain to what you are referring to.
Response 12:	The V-bio wrap is the corrosion control.
Question 13:	On plan sheet C-501 there is a trench detail (utility trench road crossing detail) Is this detail used for city streets and not Deldot roadways.
Response 13:	Yes. The Longitudinal Trench Detail for DeIDOT Roadway detail shall be used in DeIDOT ROW.
Question 14:	On plan sheet C-501 there is a trench detail (water trench detail) top of page, Is the envelope around pipe supposed to be Type C backfill or native soil.
Response 14:	Material shall be select borrow. Use of native soil shall be at the sole discretion of the Public Works and Water Resources Department Director or their designee.
Question 15:	Note 2 on plan sheet C-501 states use of native soil to be discretion of the public works, does this statement mean that the contractor is not allowed to use excavated material for around the pipe before backfilling of trench with CR-6.
Response 15:	City of Newark Public Works and Water Resources Inspector will verify bedding conditions before backfill.
Question 16:	Can you include concrete details for the replacement of bid item Valley Gutters.
Response 16:	Attached to this addendum.
Question 17:	Can you explain what the need for the 8" cut and cap with a blowoff on SR2 is. Is the blow off being used for another purpose we are not aware of.
Response 17:	Blow offs will be utilized to remove stagnant water in dead end legs of water distribution system.
Question 18:	Can you explain what the need for the 6" cut and cap with a blowoff on North Dillwyn Rd is. Is the blow off being used for another purpose we are not aware of. The blow off will be left on a live and operational main.
Response 18:	See response 17.
Question 19:	On the cut and cap operation, will the water department shut off corresponding watermain to achieve this work or do we have to include line stops for shut down of existing main.
Response 19:	The Contractor must coordinate shut down with City.

Question 20:	Can you clarify the paving thickness for the 3.5" Mill and overlay bid item. 2" Type B base and 1.5" Type C Surface course?
Response 20:	3.5-inch mill and overlay shall include 2" Type-B base course and 1.5" Type-C wearing course.
Question 21:	What is the project's intent regarding using excavated material for backfill of utility trenches?
Response 21:	Suitable material may be used as backfill, unsuitable material shall be disposed of at the contractors expense.
Question 22:	Scope of work item 18 – Excavated Material details the disposal of unsuitable excavated material that in the opinion of the city, is unsatisfactory for backfill or fill. Will a separate cost be paid for importing borrow to replace this unsuitable soil?
Response 22:	No.
Question 23:	Is imported borrow or GABC required for utility trench backfill in city streets?
Response 23:	Imported select borrow will be required where native soil is unsuitable for backfill.
Question 24:	Can a mobilization item be added to the bid form for each work area? If not, what bid item(s) should we place these costs?
Response 24:	Mobilization shall be incidental to the linear foot water main cost.
Question 25:	Is a project sign required for this project?
Response 25:	No
Question 26:	I don't see a subcontractor list form as mentioned in number 40 on page 14 of the bid documents.
Response 26:	Each bidder shall submit a list on company letterhead of subcontractors, including complete names and addresses, whose services the bidder intends to use in performing all work under the contract. A form will not be provided.

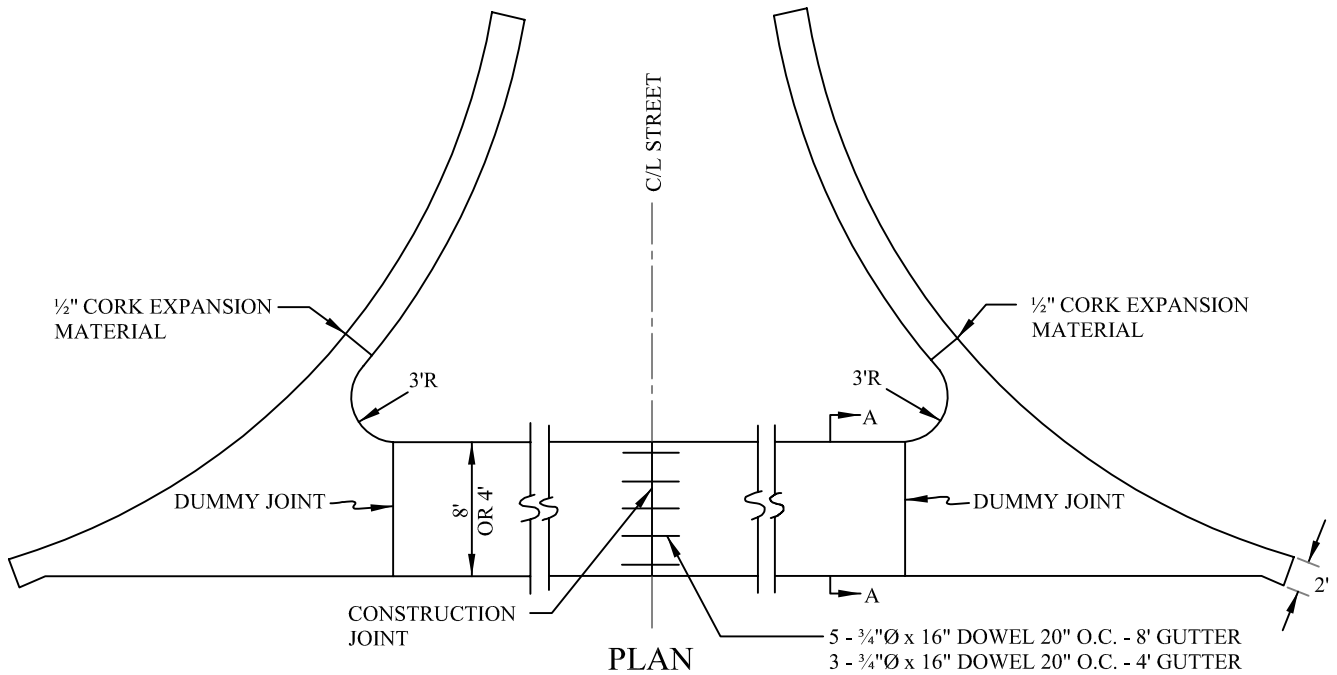
3. Attachments To This Addendum

- A. Patterned Crosswalk Detail
- B. Valley Gutter Detail

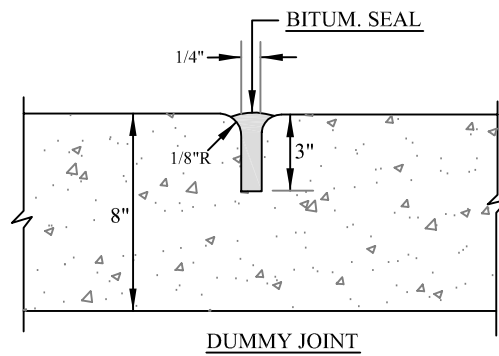
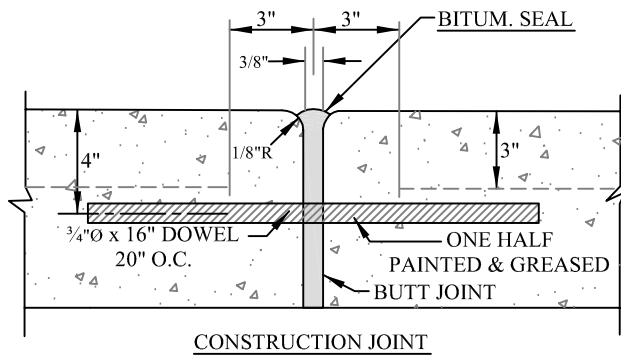
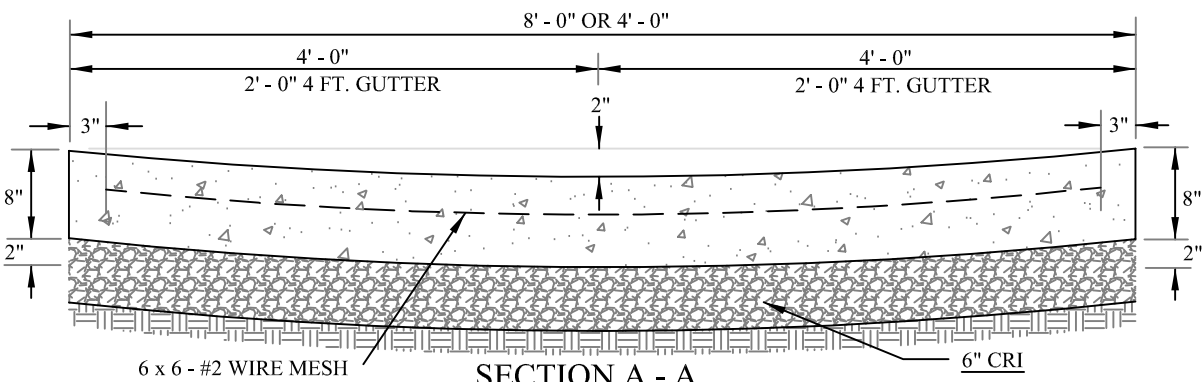
END OF ADDENDUM #3



PATTERNED CROSSWALK
NOT TO SCALE



(SEE DETAILS BELOW)



NOTE:

1. INVERT OF VALLEY GUTTER WILL CONTINUE GRADE OF CURB INVERT OF STREET IN DIRECTION OF DRAINAGE. INVERT OF VALLEY GUTTER IS TO BE HAND PUDDLED TO PRESENT SMOOTH CHANGES IN SLOPE.
2. CONCRETE TO BE 3500# A-E.

DETAILS

NO SCALE

Valley Gutter - Details

NEWARK DELAWARE
"Committed to Service Excellence"

Scale: N.T.S.	Date: 02/18/2010
Drawn: BJL	Page: 45