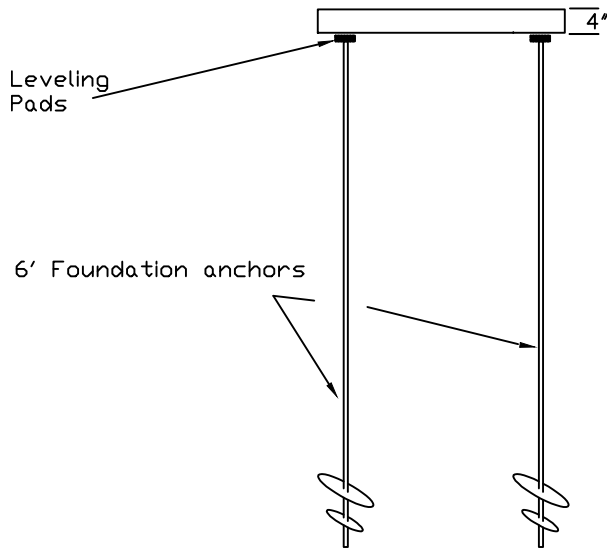
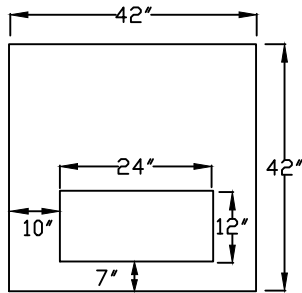
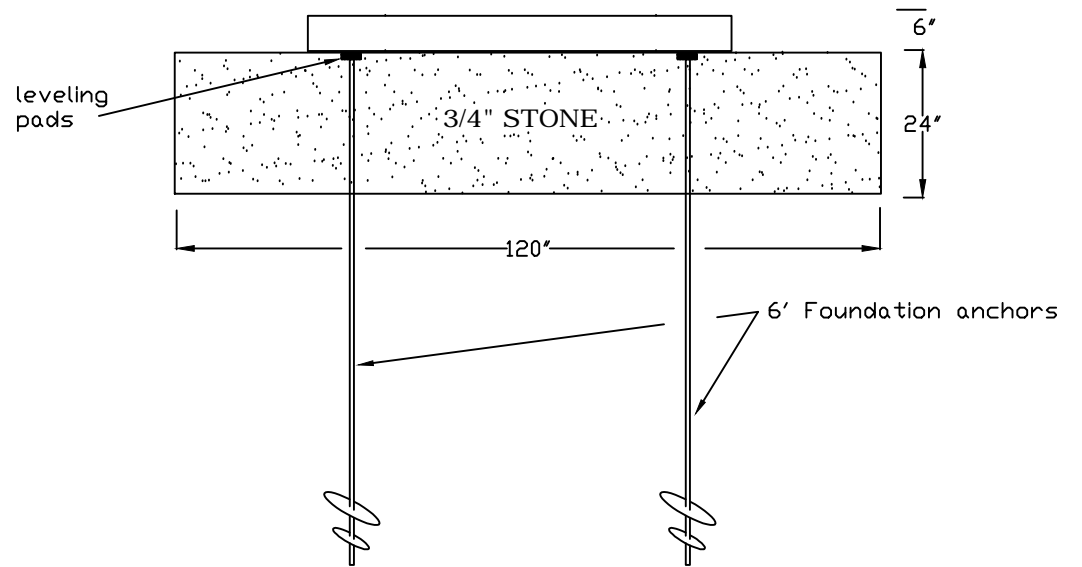
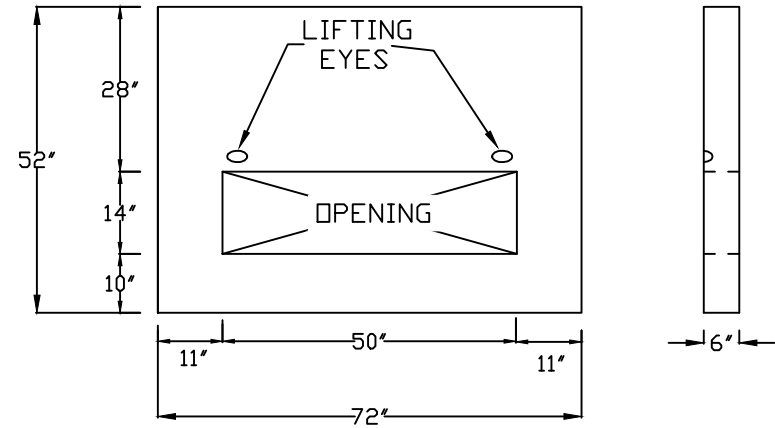


single phase transformer



1. City will install polyethylene transformer pad.
2. Before Contractor backfills, City must install foundation anchors so conduits will be visible.

3 ϕ commercial transformer



NOTE: Contractor should install primary & secondary conduits as far to left & right side of opening.

1. Contractor to dig hole 10'x10'x24" deep.
2. Before Contractor backfills, City must install foundation anchors so conduits will be visible.
3. Contractor to supply & install 3/4" stone.
4. City to install precast concrete pad.

Fig. 3